



BOX TRACK
C/W Brackets



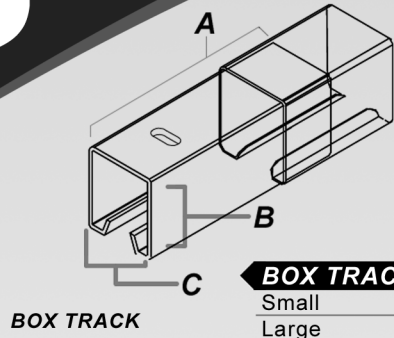
*Sliding Door Track for
Industrial, Commercial &
Agricultural Doors.*

TRACK-IT

Sliding Door System by P.D.M

BOX TRACK

C/W Brackets

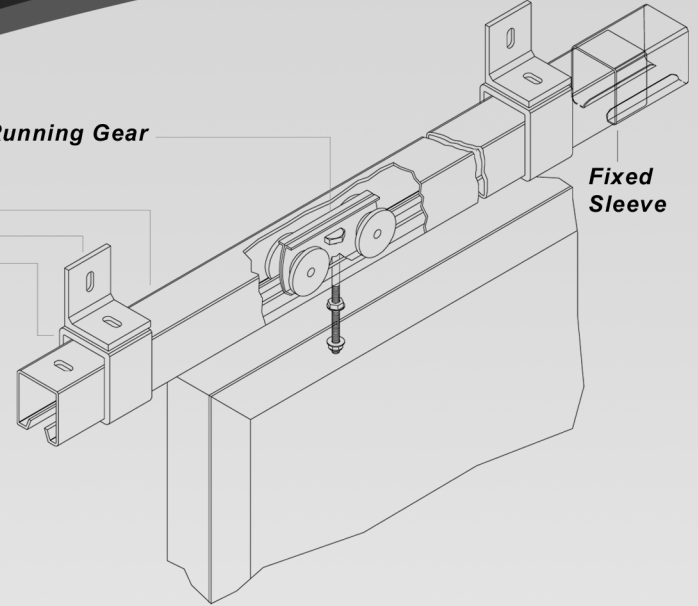


BOX TRACK	Length		
	A	B	C
Small	3m	50	40
Large	3m	64	50

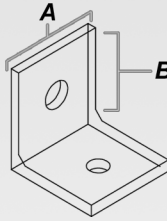
Running Gear

Box Track Bracket 1
Bracket 2

Fixed Sleeve

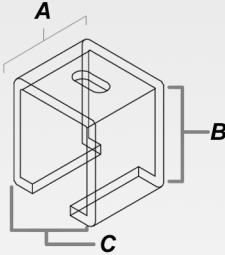


BRACKET 1



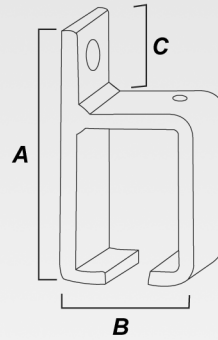
BRACKET 1	A	B	C
Small	40	40	-
Large	50	60	-

BRACKET 2



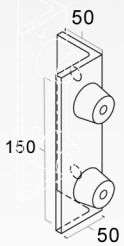
BRACKET 2	A	B	C
Small	40	72	50
Large	50	88	62

ONE PIECE BRACKET

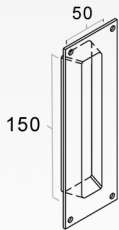


ONE PIECE	A	B	C
Small	94	53	29
Large	121	63	40

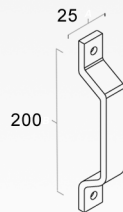
DOOR STOP



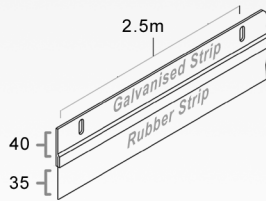
STAINLESS FLUSH DOOR HANDLE



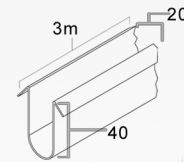
STAINLESS BOW DOOR HANDLE



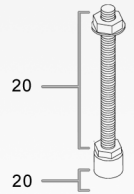
DRAUGHT STRIP



GALVANISED BOTTOM CHANNEL

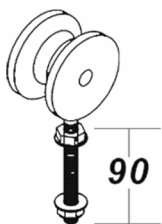


GUIDE FOR BTM. CHANNEL



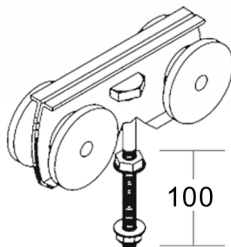
RUNNING GEAR SW40, RG40, RG50

SW40



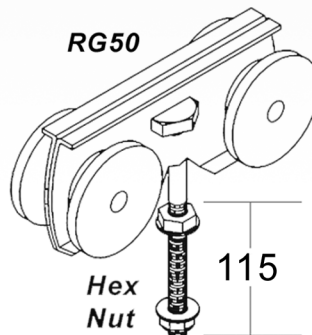
M12 Bolt

RG40



M10 Bolt

RG50



M14 Bolt

