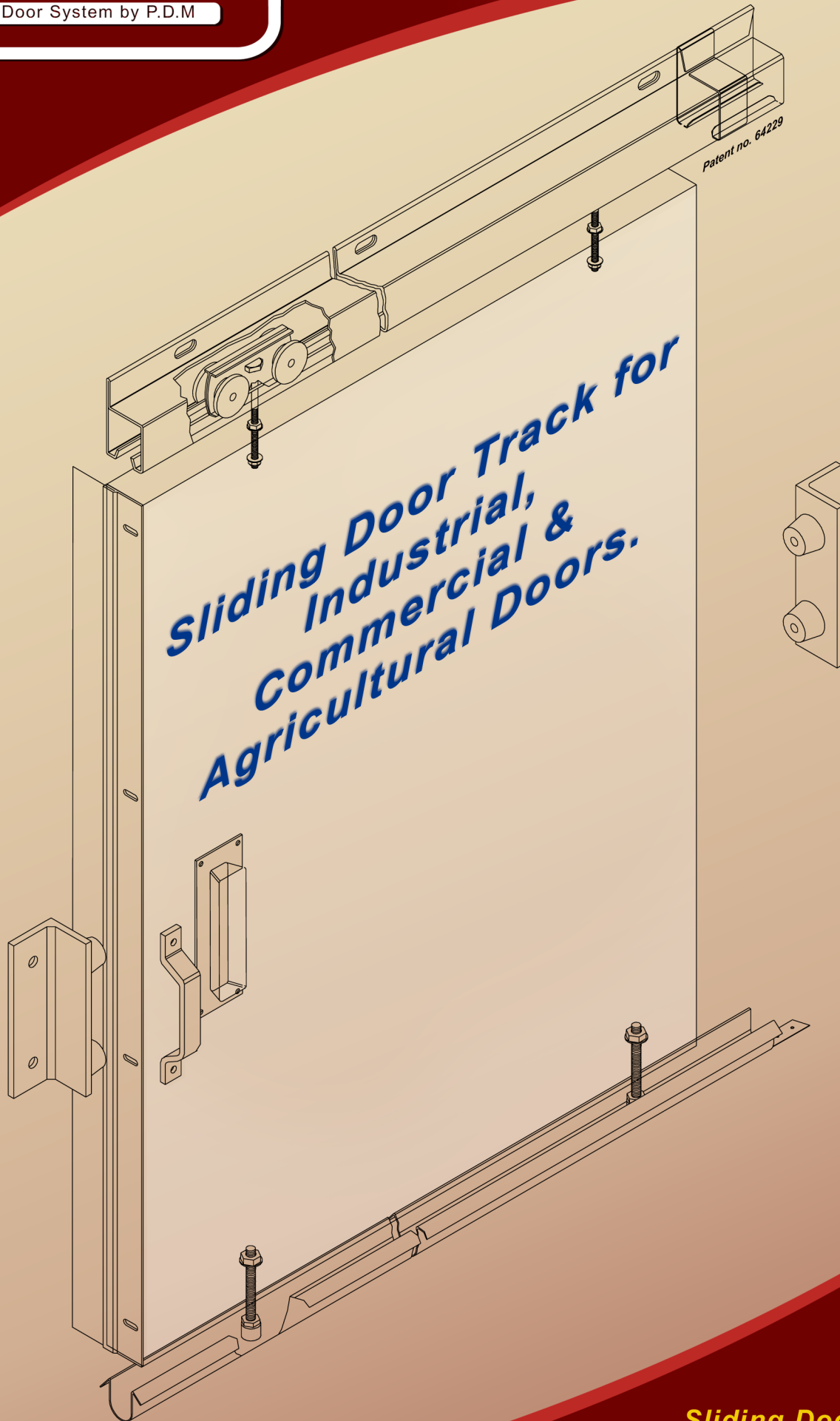


# FLANGE DOOR TRACK



**Sliding Door Track for  
Industrial, Commercial &  
Agricultural Doors.**

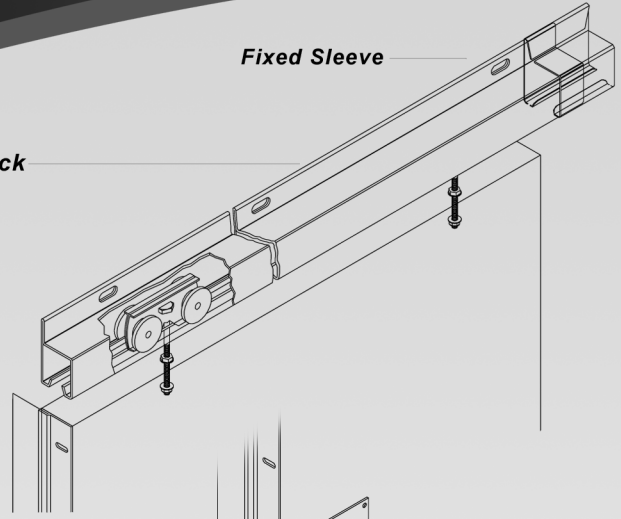
# TRACK-IT

# FLANGE DOOR TRACK

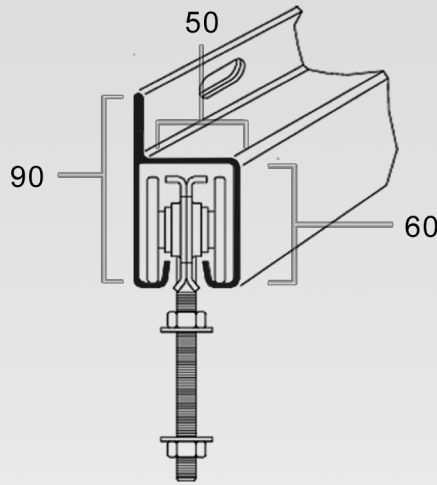
Sliding Door System by P.D.M



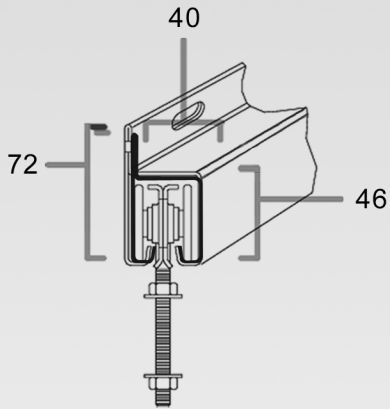
Patent No. 64229



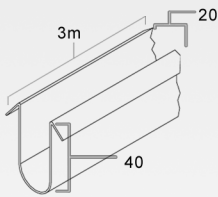
**FLANGE TRACK 50 (3m)**



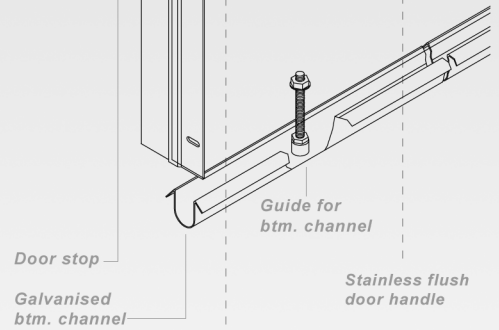
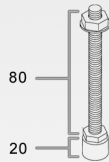
**FLANGE TRACK 40 (3m)**



**GALVANISED BOTTOM CHANNEL**

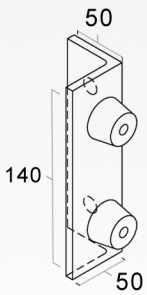


**GUIDE FOR BTM. CHANNEL**

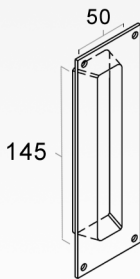


**Stainless bow door handle**

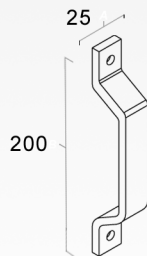
**DOOR STOP**



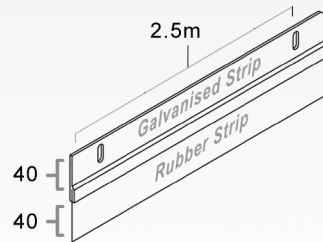
**STAINLESS FLUSH DOOR HANDLE**



**STAINLESS BOW DOOR HANDLE**

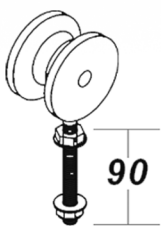


**DRAUGHT STRIP**



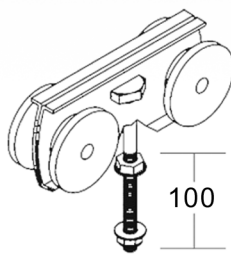
**RUNNING GEAR SW40, RG40, RG50**

**SW40**



**M12 Bolt**

**RG40**



**M10 Bolt**

**RG50**

